

Finalmente Sink + Gas

Freestanding

Code: 7555 001



DETAILS

Type Sink + Gas Cooking

Material Stainless steel AISI 316 L with alveolar aluminum support

Texture Brushed in line

Dimensions (open) 327 x 78 x (h)178 cm

Dimensions (closed) 185 x 78 x (h)115 cm

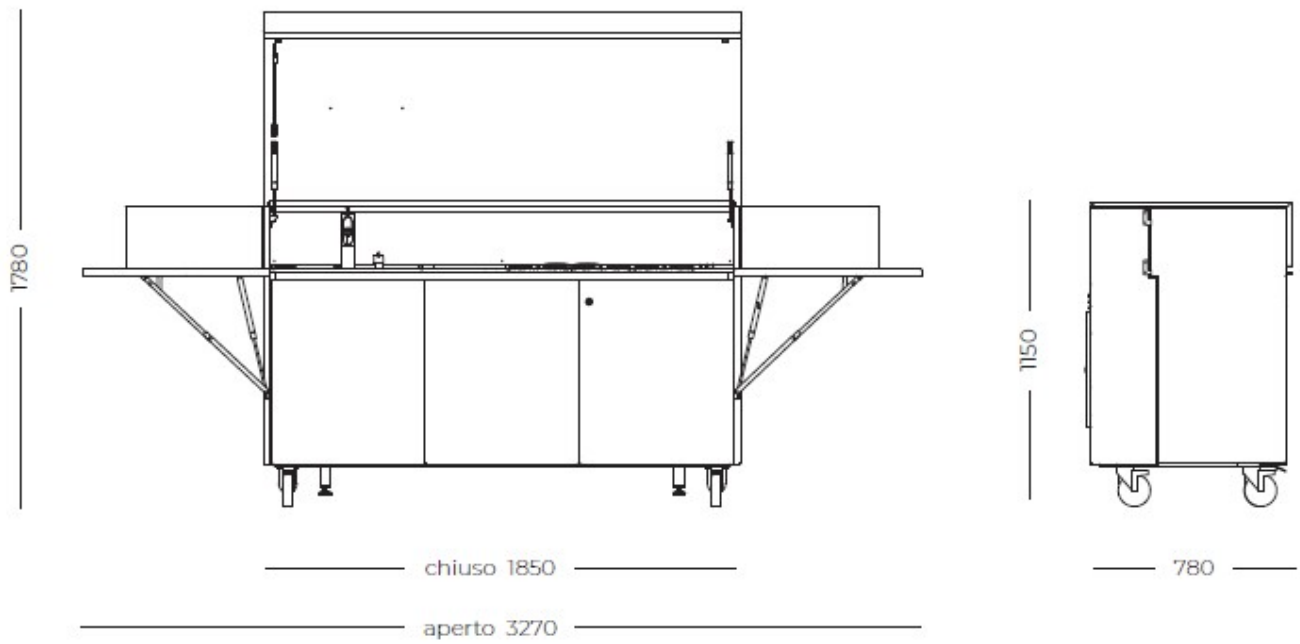
Weight 295 Kg

Framework Lid with anti-closing locking system
2 opening side shelves
4 wheels (2 with locking system)
2 adjustable feet for laying on the ground

Lighting 3 LED lights (normal with twilight / motion sensor) with rechargeable battery and USB connector

Wheels	Yes
Foster integrated products	1011 050 - Milano sink welded 462 x 400 mm 8459 000 - F2000 mixer with extractable spout 8530 000 - Round dispenser 7680 000 - Milanello gas hob 3 burners in line for methane gas testing + set of LPG nozzles Supplied
Integrated equipped channel	Cup holder and plate holder 2 round containers of different depths Retractable socket holder (230V 16A IP66)
Front door equipment	60l undercounter refrigerator (class C) Compartment with shelf in HPL / stainless steel Pull-out drawer with differentiated story with 4 compartments
Rear features	Electrical panel IP66 32A Wall-mounted single-phase plug 230V 32A IP66 Gas connection
Rear features	Electrical panel IP66 32A Wall-mounted single-phase plug 230V 32A IP66 Hot and cold water connection Gas connection
Accessories supplied	Waterproof PVC sheet (650 g / m ²)

TECHNICAL DATA



GALLERY

